

A

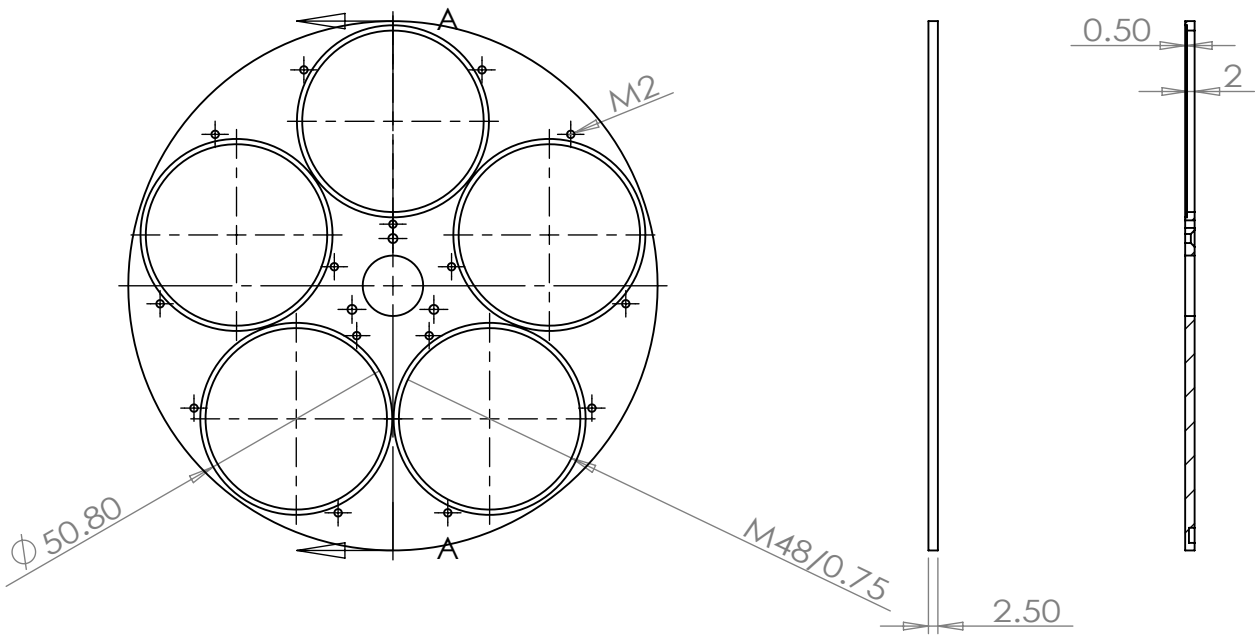
B

C

D

E

A-A  
1:2



UNLESS OTHERWISE SPECIFIED:  
 DIMENSIONS ARE IN MILLIMETERS  
 SURFACE FINISH:  
 TOLERANCES:  
 LINEAR:  
 ANGULAR:

FINISH:

DEBUR AND  
 BREAK SHARP  
 EDGES

DO NOT SCALE DRAWING

REVISION

	NAME	SIGNATURE	DATE		
DRAWN					
CHK'D					
APPV'D					
F MFG					
Q.A				MATERIAL:	
				WEIGHT:	

TITLE:	
DWG NO.	A4
SCALE: 1:5	SHEET 1 OF 1